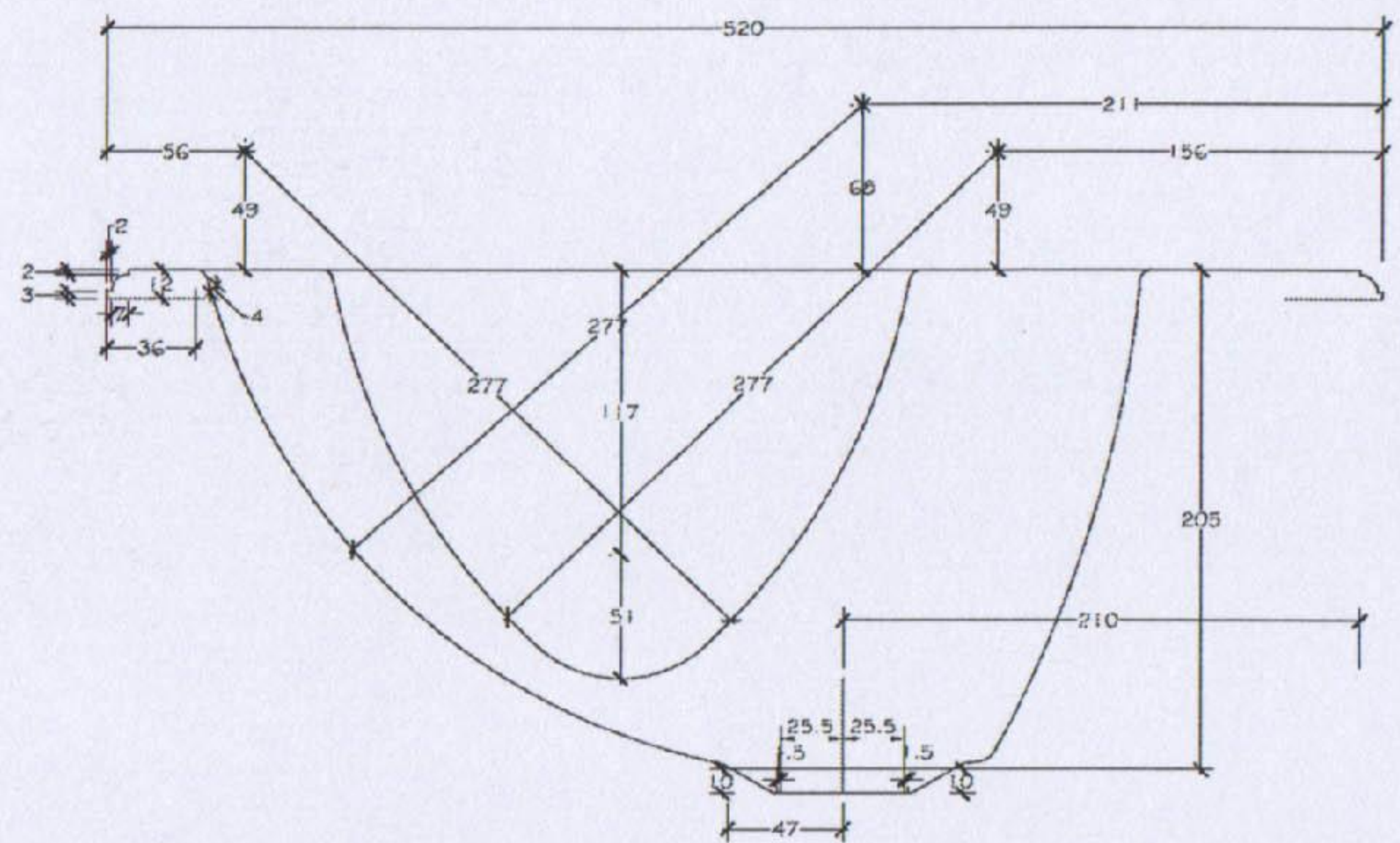
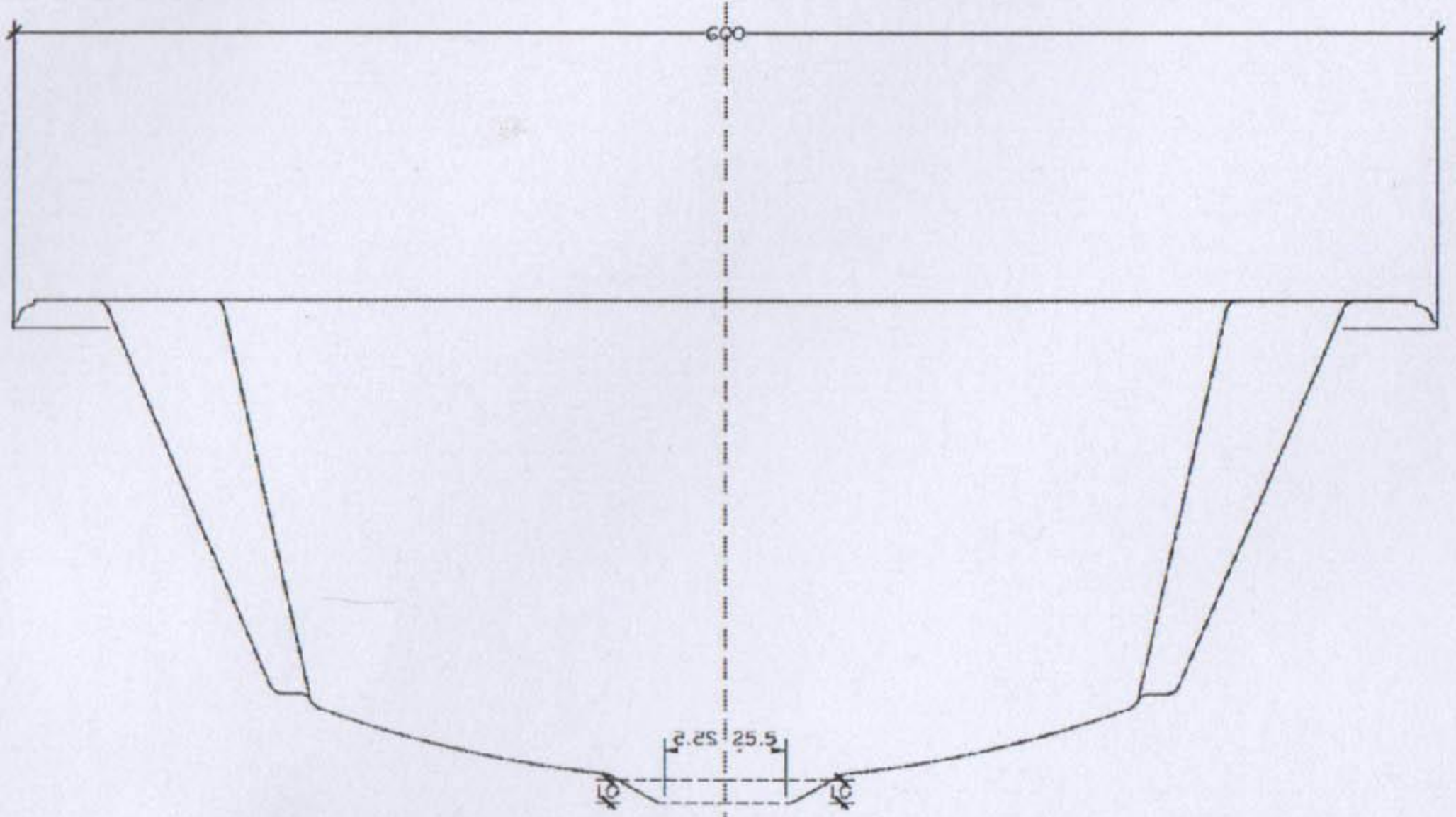


Plan of Wash Hand Basin



Section Thro Wash Hand Basin A -A



Section Thro Wash Hand Basin A -A

Rev	By	Check	Date
Project No: <b>BURGE &amp; GUNSON</b> Ref: 7002 / ZPO 1002661			
Drawing Title: <b>HELECINE BASIN</b> <b>DESIGN DRAWING</b> Plan, Sections, Elevation			
Scale:	Drawing No:	Sheet	
1:1 (Full Size)	HWHB - DD - 1	1 of 1	
Author:	Checked:	Date:	
<b>CONSULTO COLLECTION LTD</b> 04833 6424004 (NSW) 0111 2/17 St. Marks Road Sydney NSW 2000 1/100-110/112 St. Marks Rd NSW 2000 Fax: +61 (0)2 955 68111 Email: info@consulto.com.au www.consulto.com.au			